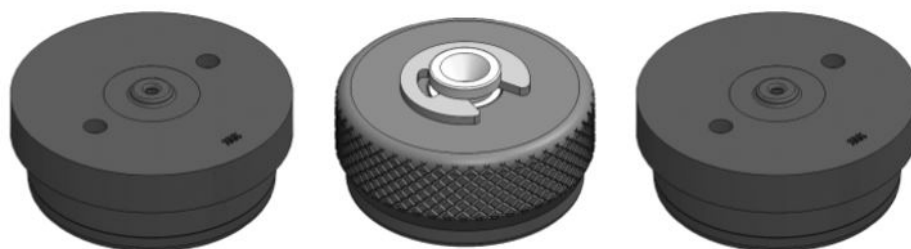

Endura-Seals™ for Gas Chromatography

The modern alternative to
GC septa



YOUR GLOBAL SCIENCE PARTNER

6 Kelvin Park Birkenhead Merseyside CH41 1LT United Kingdom

Tel: +44 (0) 151 649 4000 • E: info@greyhoundchrom.com • www.greyhoundchrom.com

Introduction

The Endura-Seal from Greyhound Chromatography is an alternative to the conventional silicone rubber septa used in gas chromatography (GC). Its unique design gives it high pressure capability and resistance to wear which results in long life and excellent chromatographic performance. The Endura Seal is available for GCs using an 11mm Injection Port or Shimadzu Injection Ports.

FEATURES

- Eliminates septum coring and crumbling into the injection port liner
- Reliable performance during extended runs
- O-ring detail seals needle during injection
- Duckbill seals more tightly at higher pressures
- Low insertion force for easy manual injections

How the Endura-Seal Works

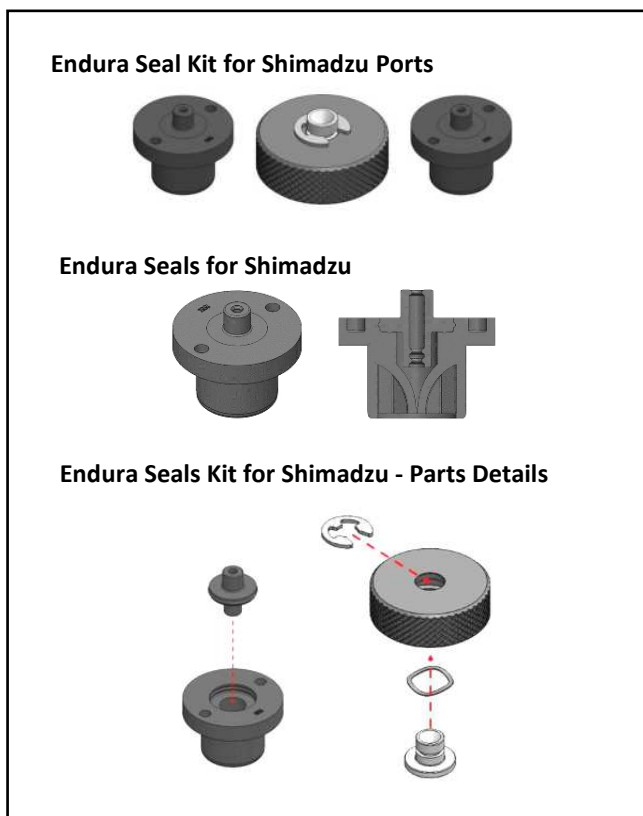
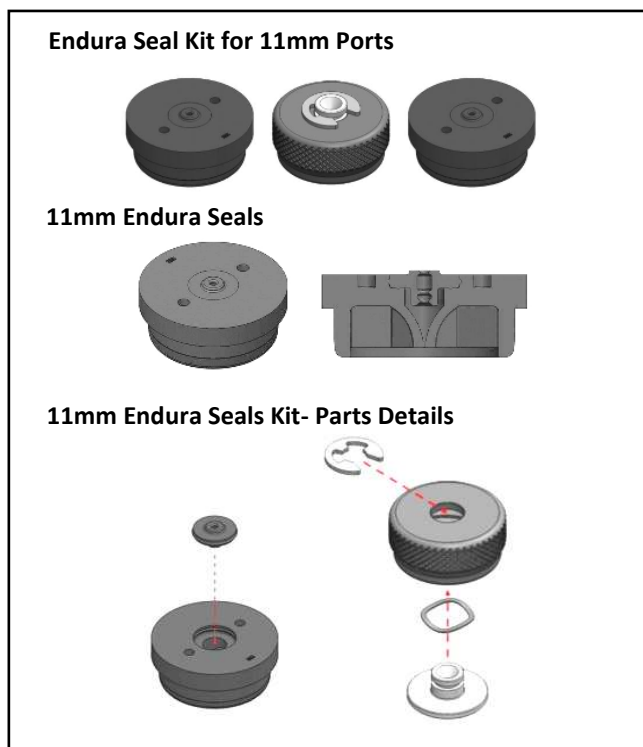
The GC injection port septum performs two discrete functions. It seals the injection port while the syringe needle is inserted as well as when the needle is not inserted. The Endura Seal is distinct from traditional septa in that the duckbill valve in the Endura-Seal is much more resilient to needle wear and tear than the traditional pierced septa. It allows the needle to glide through the valve without damaging the integrity of the septa. While Greyhound premium septa are already designed to avoid coring (particles in the liner), the Endura-Seals go a step further to virtually eliminate this burden.

The Seals utilize a more cost-effective elastomeric spring design instead of the metal spring used in some competing designs. These features make the Endura-Seal septa an ideal choice for automated analyses in the long sequences used with today's high capacity autosamplers.

The Endura-Seals are available in 11 mm and Shimadzu style kits. Each kit includes 1 sealing nut and 2 septa. 11 mm Endura-Seals will fit in most instrument ports without the need for an adapter kit.



www.greyhoundchrom.com



SPECIFICATION

Sizes	11 mm and Shimadzu style
Needle	23 Gauge Cone Tip Only
Max Pressure:	100 PSI
Max Temp:	400°C

ORDERING INFORMATION

Part No.	Description
250111	Endura-Seals Septa Kit- 11 mm
250100	Endura-Seals Septa Kit - Shimadzu